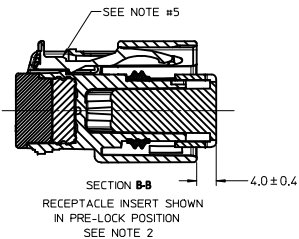
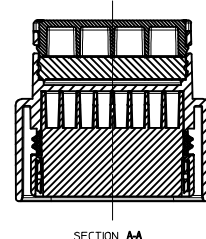


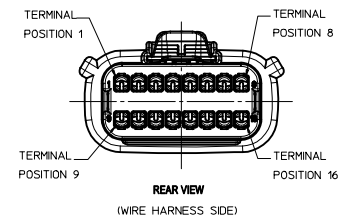
KEYING OPTION  
SEE TABLE  
SCALE 2:1



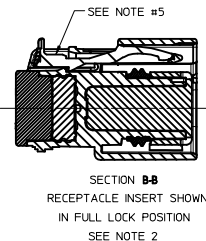
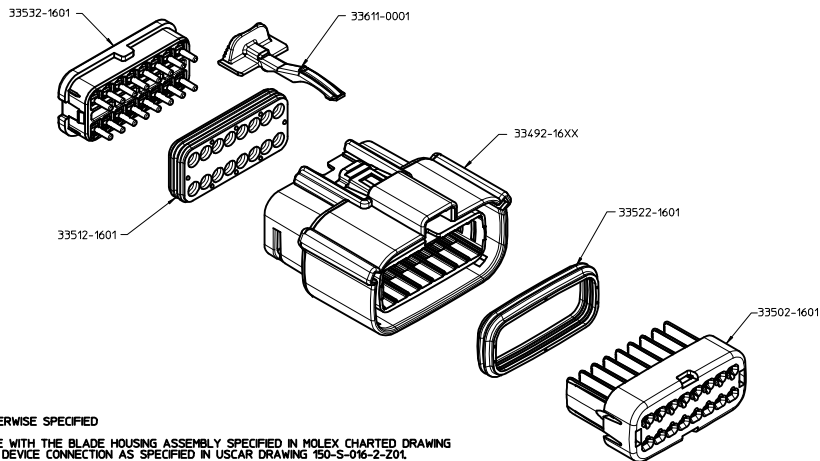
SECTION B-B  
RECEPTACLE INSERT SHOWN  
IN PRE-LOCK POSITION  
SEE NOTE 2



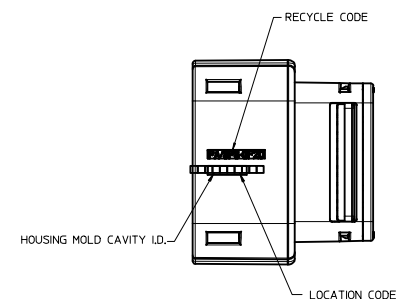
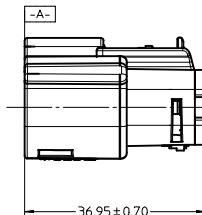
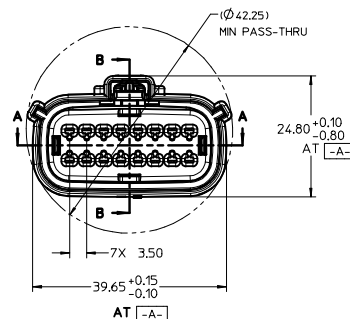
SECTION A-A



REAR VIEW  
(WIRE HARNESS SIDE)

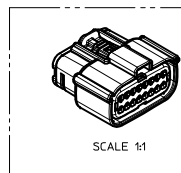


SECTION B-B  
RECEPTACLE INSERT SHOWN  
IN FULL LOCK POSITION  
SEE NOTE 2



NOTES: UNLESS OTHERWISE SPECIFIED

- DESIGNED TO MATE WITH THE BLADE HOUSING ASSEMBLY SPECIFIED IN MOLEX CHARTED DRAWING SD-33482-161, OR DEVICE CONNECTION AS SPECIFIED IN USCAR DRAWING 150-S-016-2-201.
- ASSEMBLY SHIPPED WITH RECEPTACLE INSERT IN PRE-LOCK POSITION (SEE SECTION B-B PRE-LOCK). UPON FULL TERMINAL ASSEMBLY, EACH RECEPTACLE INSERT MUST BE SNAPPED INTO ITS FINAL LOCK POSITION.
- FOR RECEPTACLE TERMINALS TO BE USED WITH THIS ASSEMBLY, SEE DRAWING SD-33012-002.
- SYSTEM TO BE USED WITH WIRE WITHIN DIAMETER RANGE OF 1.5mm TO 2.5mm.
- OPTIONAL CPA SHOWN IN ALL VIEWS. SEE TABLE FOR SPECIFIC ASSEMBLY OPTION AND NUMBER. CPA MUST BE INSERTED TO THE PRE-LOCK POSITION, AS SHOWN IN SECTION B-B. WHEN SEATED CORRECTLY, CPA DOES NOT MOVE FREELY. ENGAGEMENT FORCE TO MOVE CPA FROM PRE-LOCK TO FINAL LOCK POSITION WHEN UNMATED: 40N MIN. DISENGAGEMENT FORCE TO MOVE CPA FROM FINAL LOCK TO PRE-LOCK POSITION: 3N MIN.
- MATERIAL: SPS/NYLON BLEND, 20% GLASS FILLED.
- REFER TO SHEETS 2 AND 3 OF THIS DRAWING FOR ALL PART NUMBER CONFIGURATIONS.
- SHALL CONFORM TO PACKAGING SPECIFICATION PK-30907-895.
- SHALL CONFORM TO PRODUCT SPECIFICATION PS-33472-000.
- PACKAGING: IN THE EVENT THAT INSERT IS FOUND IN THE SEATED (FINAL LOCK) POSITION, REFER TO MOLEX SPECIFICATION PS-34646-001 (AVAILABLE AT WWW.MOLEX.COM)



SCALE 1:1

REFRAINED ELEC NO: UAU2009-0473 DRAWN: KILLEN 2008/11/07 CHKD: SYRZYL 2008/11/07 APPR: WOSHYL 2008/11/10 AH	QUALITY SYMBOLS ▽=0 ▽=0	GENERAL TOLERANCES (UNLESS SPECIFIED)		DIMENSION STYLE MM ONLY		SCALE 2:1	DESIGN UNITS METRIC	THIRD ANGLE PROJECTION
		4 PLACES ± 0.10 3 PLACES ± 0.15 2 PLACES ± 0.20 1 PLACE ± 0.30	mm INCH	DRAWN BY DGRIFITHS	DATE 05-29-03	TITLE MX150 STANDARD CONNECTOR RCPT 2 ROW HOUSING SEALED, 16 WAY		
DRAFT WHERE APPLICABLE MUST REMAIN WITHIN DIMENSIONS		ANGULAR ± 3°		APPROVED BY DGRIFITHS	DATE 05-29-03	MOLEX MOLEX INCORPORATED		
MATERIAL NO. SEE TABLE				DOCUMENT NO. SD-33472-161		SHEET NO. 1 OF 3		



ASSEMBLY PART NUMBER	CPA	COLOR	KEYING OPTION	DIMENSIONS (DEGREES)		CAVITY TYPE & STATUS (X = PLUGGED)															
				A	B	1	2	3	4	5	6	7	8	9	10	11	12	13	14	15	16
33472-1683	-	BLACK	A	60	60															X	
33472-1684	-	BLACK	A	60	60				X										X		
33472-1685	-	LT. GRAY	B	60	25															X	
33472-1686	-	LT. GRAY	B	60	25				X										X	X	
33472-1687	-	LT. GRAY	B	60	25														X		
33472-1688	-	BLACK	A	60	60	X															
33472-1689	-	LT. GRAY	B	60	25	X			X									X	X		
33472-1690	-	LT. GRAY	B	60	25	X												X	X		
33472-1691	-	BLACK	A	60	60	X			X									X	X		
33472-1692	-	BLACK	A	60	60				X									X	X		
33472-1693	-	LT. GRAY	B	60	25				X									X	X		
33472-1694	-	LT. GRAY	B	60	25													X	X		
33472-1695	-	BLACK	A	60	60	X															
33472-1701	-	BLACK	A	60	60	X			X									X	X		
33472-1702	-	LT. GRAY	B	60	25	X			X									X	X		
33472-1703	-	LT. GRAY	B	60	25	X													X		
33472-1704	-	BLACK	A	60	60	X			X												
33472-1705	-	LT. GRAY	B	60	25	X			X										X		
33472-1706	-	BLACK	A	60	60	X													X	X	
33472-1707	-	BLACK	A	60	60	X													X	X	
33472-1708	-	BLACK	A	60	60	X													X	X	
33472-1709	-	BLACK	A	60	60				X										X	X	
33472-1710	-	BLACK	A	60	60	X													X		
33472-1711	-	BLACK	A	60	60	X															
33472-1712	YES	BLACK	A	60	60				X	X	X	X							X		
33472-1713	YES	BLACK	A	60	60				X	X	X	X							X	X	
33472-1714	YES	BLACK	A	60	60				X	X	X	X							X	X	
33472-1715	YES	LT. GRAY	B	60	25	X	X	X	X	X	X	X							X	X	
33472-1716	YES	LT. GRAY	B	60	25	X	X	X	X	X	X	X							X	X	
33472-1717	YES	LT. GRAY	B	60	25	X			X	X	X	X							X		
33472-1718	YES	BLACK	A	60	60				X	X	X	X							X	X	
33472-1719	YES	BLACK	A	60	60				X	X	X	X							X	X	
33472-1720	YES	BLACK	A	60	60				X	X	X	X							X	X	
33472-1721	YES	BLACK	A	60	60				X	X	X	X							X	X	
33472-1722	YES	BLACK	A	60	60	X	X	X	X	X	X	X							X	X	
33472-1723	YES	BLACK	A	60	60														X	X	
33472-1724	YES	BLACK	A	60	60														X	X	
33472-1725	YES	BLACK	A	60	60														X		
33472-1726	YES	BLACK	A	60	60														X	X	
33472-1727	YES	BLACK	A	60	60														X	X	
33472-1728	YES	LT. GRAY	B	60	25				X	X									X		
33472-1729	YES	LT. GRAY	B	60	25	X	X		X	X	X	X							X	X	
33472-1730	YES	LT. GRAY	B	60	25	X	X		X	X	X	X							X	X	
33472-1731	YES	LT. GRAY	B	60	25				X	X									X	X	
33472-1732	YES	LT. GRAY	B	60	25	X	X		X	X	X	X							X	X	
33472-1733	YES	LT. GRAY	B	60	25				X	X									X		
33472-1734	YES	LT. GRAY	B	60	25				X	X									X		
33472-1735	YES	LT. GRAY	B	60	25	X	X		X	X	X	X							X	X	
33472-1736	-	BLACK	A	60	60	X	X		X	X	X	X							X	X	
33472-1737	YES	LT. GRAY	B	60	25	X	X		X	X	X	X							X	X	
33472-1738	YES	LT. GRAY	B	60	25														X		
33472-1739	YES	LT. GRAY	B	60	25				X	X									X		
33472-1740	YES	BLACK	A	60	60				X										X		
33472-1741	YES	BLACK	A	60	60														X	X	
33472-1742	YES	BLACK	A	60	60														X	X	
33472-1743	YES	BLACK	A	60	60														X	X	
33472-1744	YES	BLACK	A	60	60														X		

<b>REDRAWN</b> IEC NO: UAU2009-0473 2008/11/07 DRWN:KILLEN 2008/11/07 CHK:SVRZYL 2008/11/10 APPR:IKOSHY	QUALITY SYMBOLS	GENERAL TOLERANCES (UNLESS SPECIFIED)	DIMENSION STYLE	SCALE	DESIGN UNITS	THIRD ANGLE PROJECTION
	▼=0 ▽=0	mm    INCH 4 PLACES ±--- ±--- 3 PLACES ±--- ±--- 2 PLACES ±0.10 ±--- 1 PLACE ±0.3 ±--- ANGULAR ± 3°	MM ONLY DRAWN BY DATE DGR1FF1THS 05-29-03 CHECKED BY DATE DGR1FF1THS 05-29-03 APPROVED BY DATE DGR1FF1THS 05-29-03	2:1	METRIC	MX150 STANDARD CONNECTOR RCPT 2 ROW HOUSING SEALED, 16 WAY
	DRAFT WHERE APPLICABLE MUST REMAIN WITHIN DIMENSIONS	MATERIAL NO. SEE TABLE	DOCUMENT NO. SD-33472-161	SHEET NO. 3 OF 3	MOLEX INCORPORATED	
	THIS DRAWING CONTAINS INFORMATION THAT IS PROPRIETARY TO MOLEX INCORPORATED AND SHOULD NOT BE USED WITHOUT WRITTEN PERMISSION					